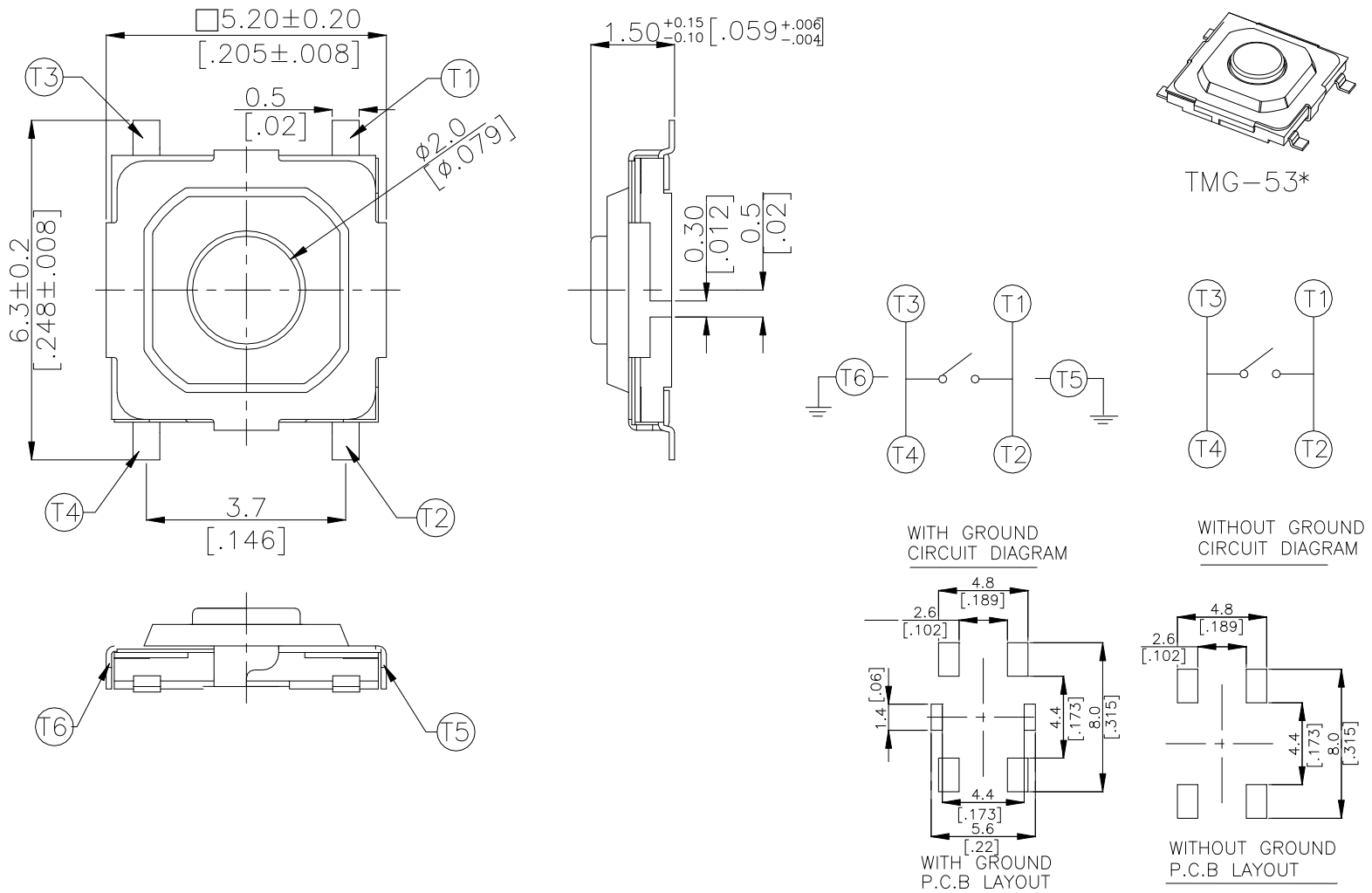


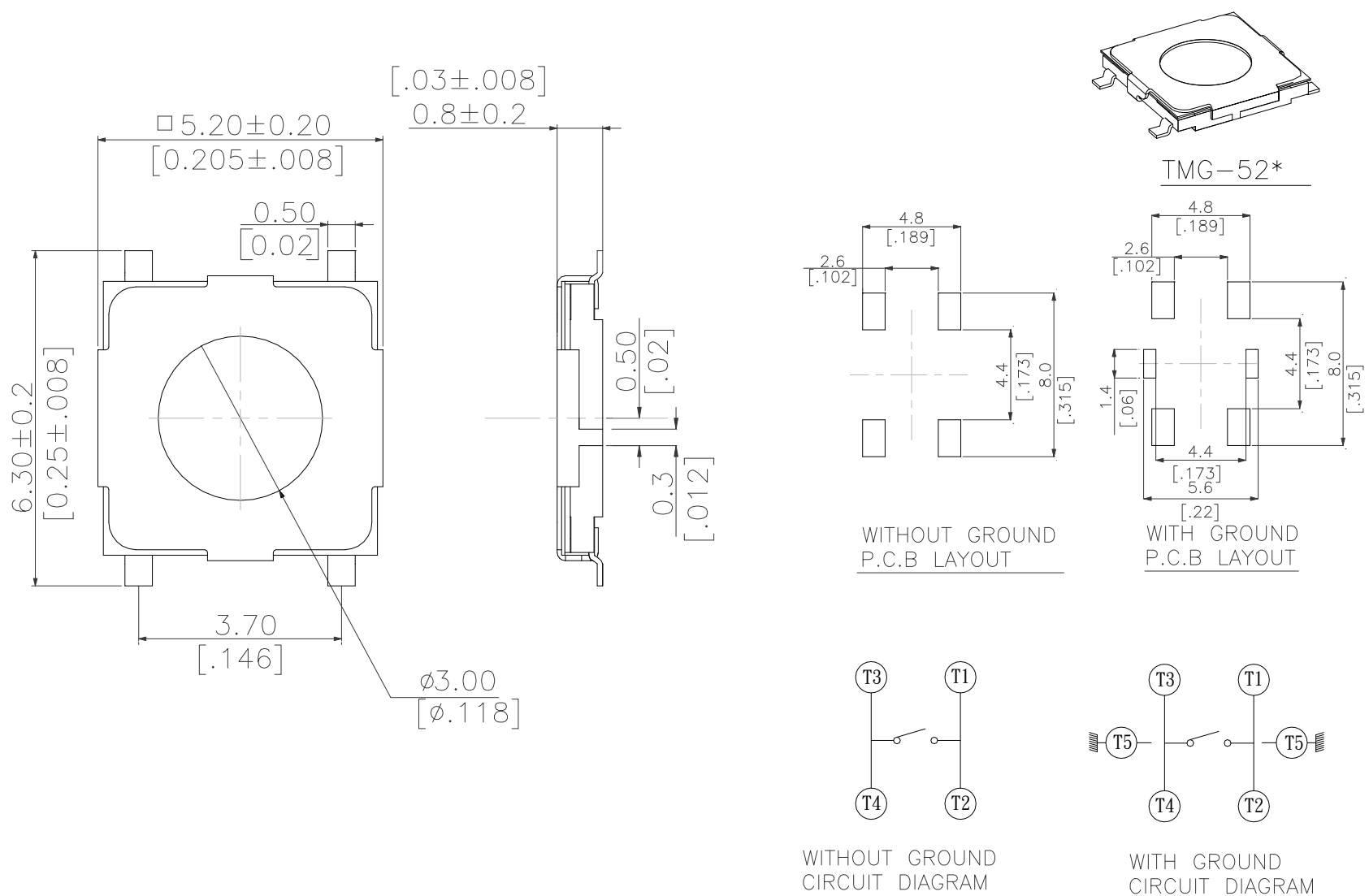
DIMENSIONS

TMG-53



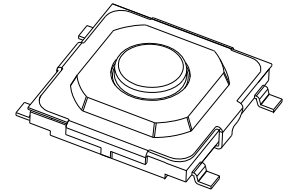
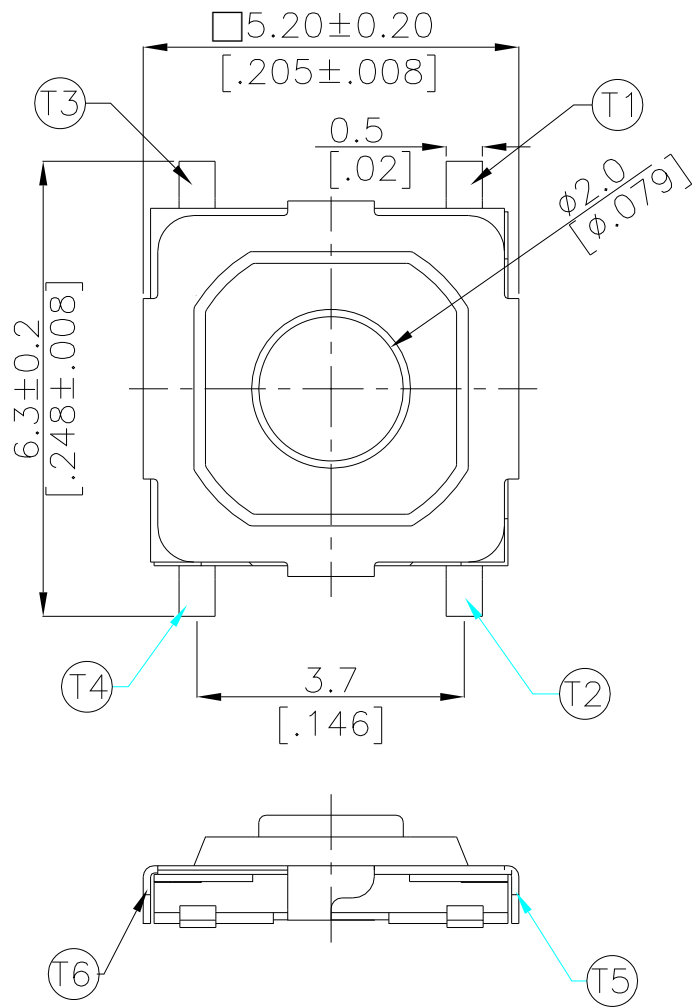
General Tolerance : $\pm 0.2\text{mm}$

TMG-52

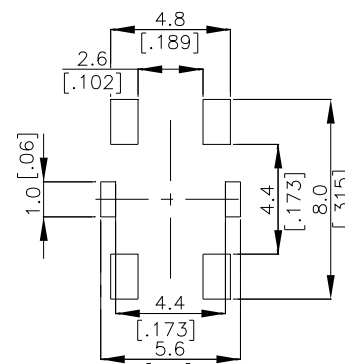
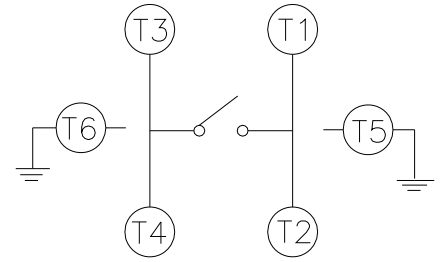


General Tolerance : $\pm 0.2\text{mm}$

TME-53

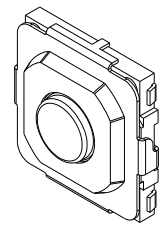
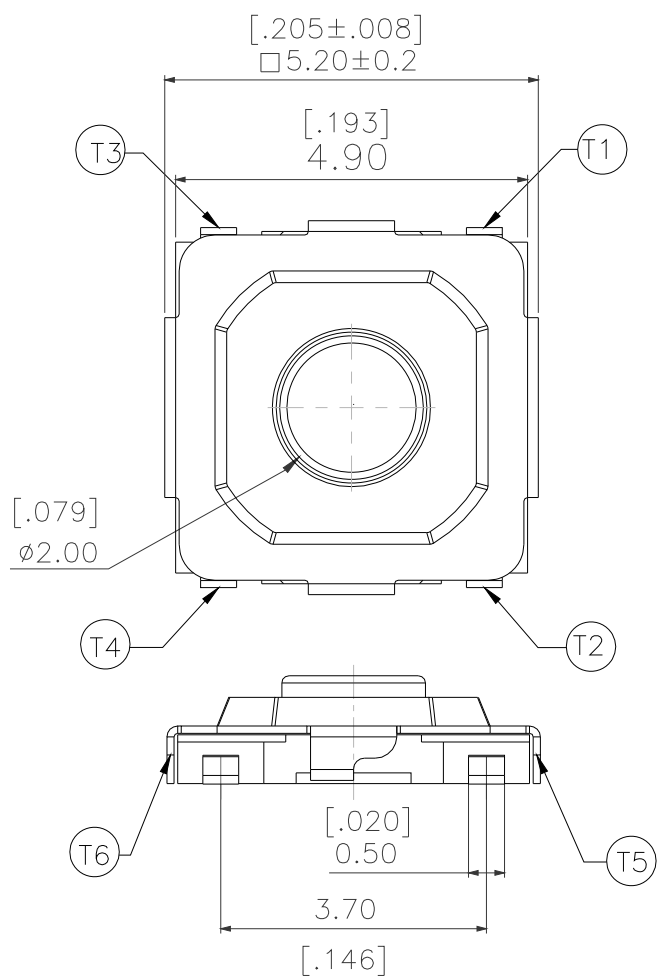


TME-53*

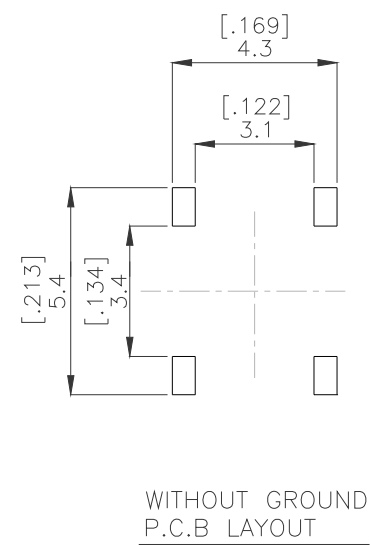
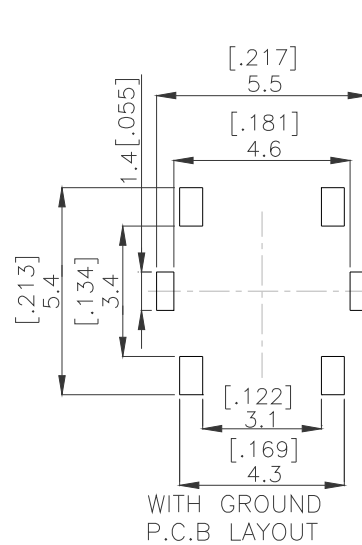
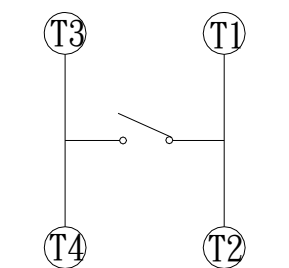
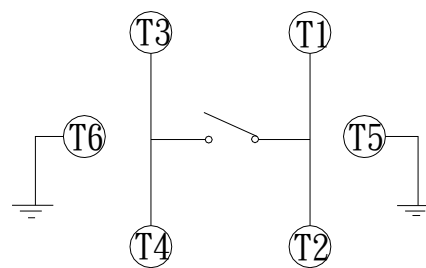


DIMENSIONS

TJG-53

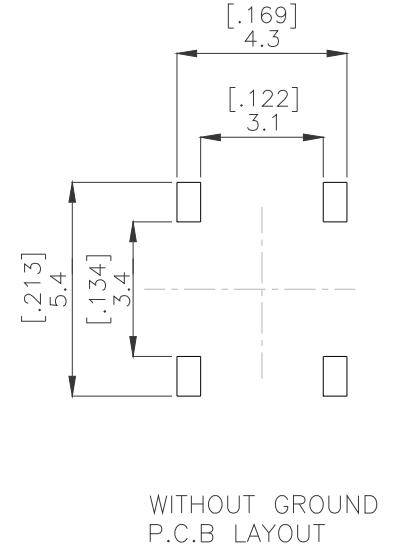
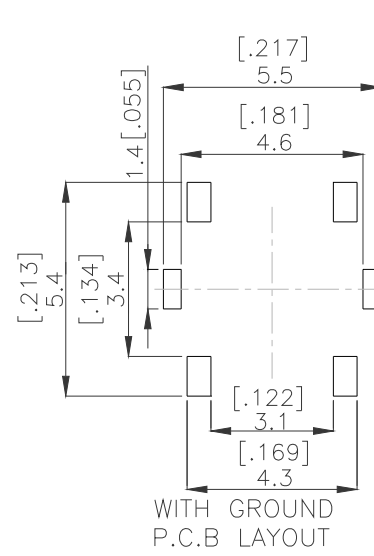
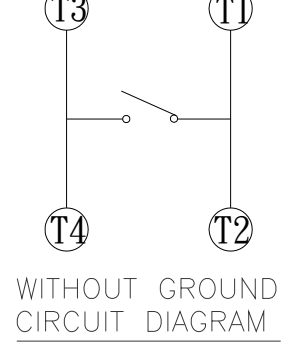
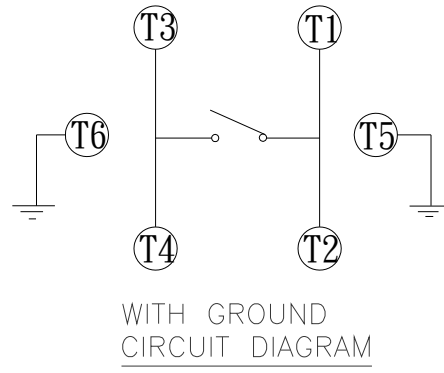
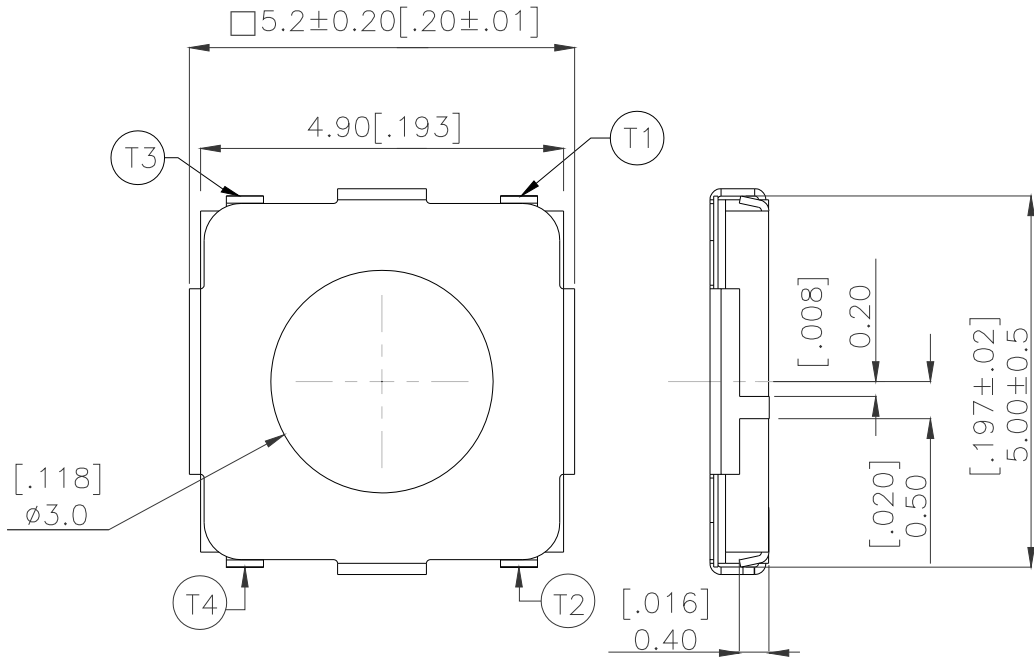


TJG-53*



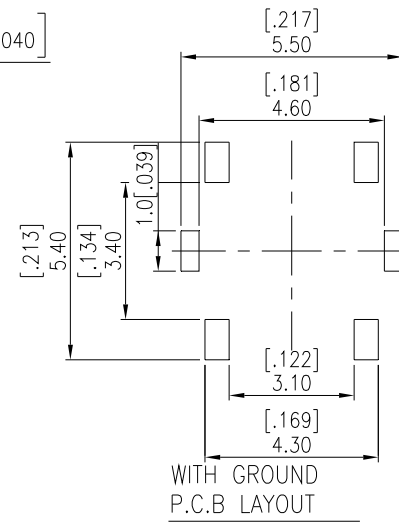
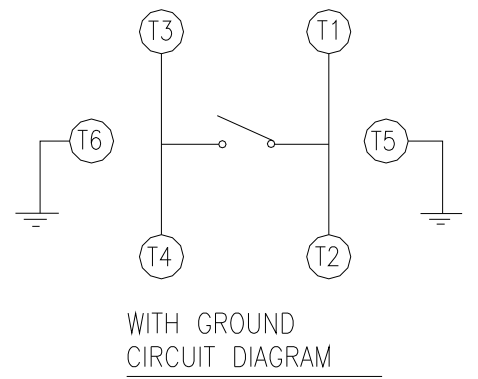
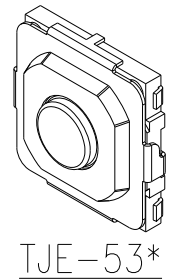
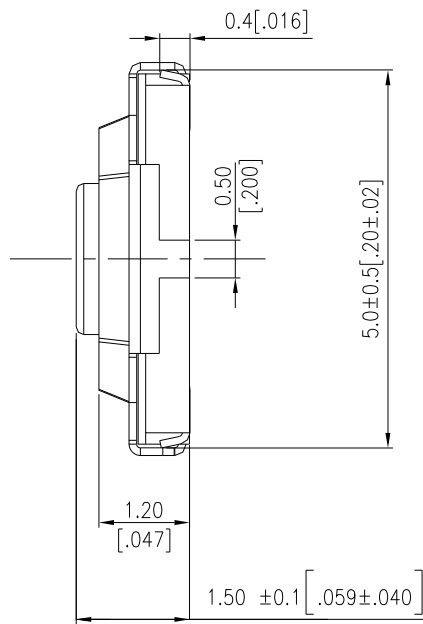
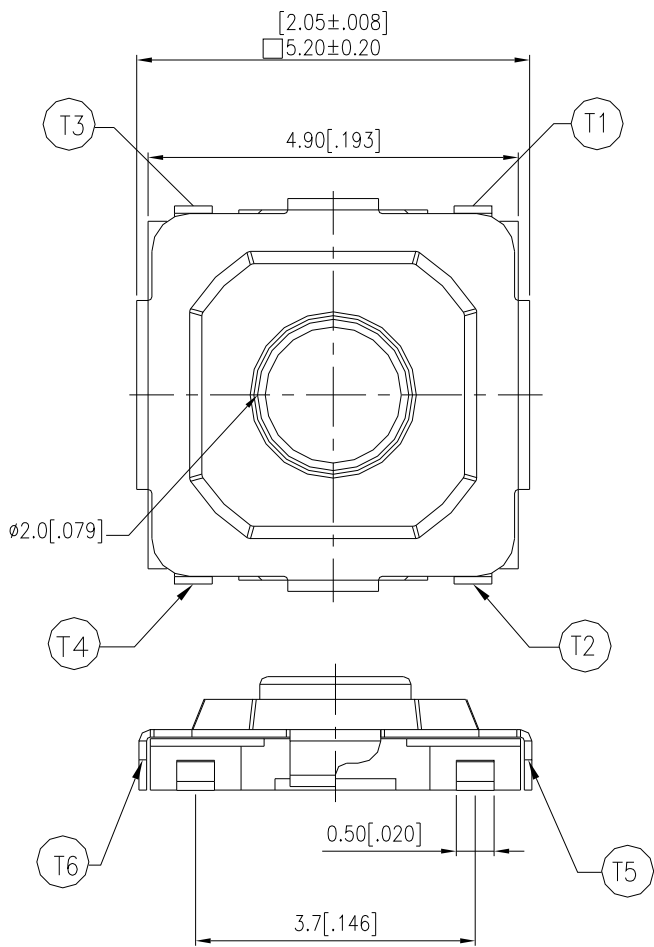
General Tolerance : $\pm 0.2\text{mm}$

TJG-52



General Tolerance : $\pm 0.2\text{mm}$

TJE-53



PLASTIC STEM HOW TO ORDER

T □ □ □ - 5 □ □ □ - Q - □

Package:
T/R=Tape & Reel

Halogen Free

□=No Stem

I=Stem Materials Spcc (For Total H:1.5mm)

Operating Force:

1=70gf(Only For Metal Stem)

2=100gf

3=160gf

4=260gf

Total H:

3=1.5mm

2=0.8mm (No Stem)

5x5mm

□=Cover Nickel Silver

S =Cover Stainless steel

Prod. Series:

G=With Ground Terminals

E=Ground pin in Central

TERMINATION TYPE:

M = Gull Wing

J = J Bend

SPECIFICATION

△MECHANICAL

Operation Force:

260 ± 50gf TMG-5□4, TJG-5□4, TJE-5□3

160 ± 50gf TMG-5□3, TJG-5□3, TJE-5□3

100 ± 50gf TMG-5□2, TJG-5□2, TJE-5□2

70 ± 30gf TMG-5□1, TJG-5□1, TJE-5□1

Stop Strength: Max. 3kgf vertical static load continuously
for 15 seconds

Stroke: 0.25 + 0.1mm
- 0.2mm

Operation Temperature: -25°C to + 70°C

Storage Temperature: -30°C to +80°C

△ELECTRICAL

Electrical Life:

1,000,000 cycles min. for 70gf, 100gf, 160gf

200,000 cycles min. for 260gf

Rating: 50mA , 12VDC

Contact Resistance: 100mΩ max.

Insulation Resistance: 100MΩ min. at 500VDC

Dielectric Strength: 250VAC / 1 minute

Contact Arrangement: 1 pole 1 throw

MATERIALS

△COVER:

□= Nickel Silver

S= Stainless steel

△CONTACT DISC: Stainless steel with silver cladding.

△TERMINAL: Brass with silver plated.

△BASE: LCP High-temp Thermoplastic

Color: Black

△Plastic stem : LCP High-temp Thermoplastic for
TMG-53 、 TJG-53 、 TJE-53 、 TME-53

Color : Black 、 White

△Stem : SPCC

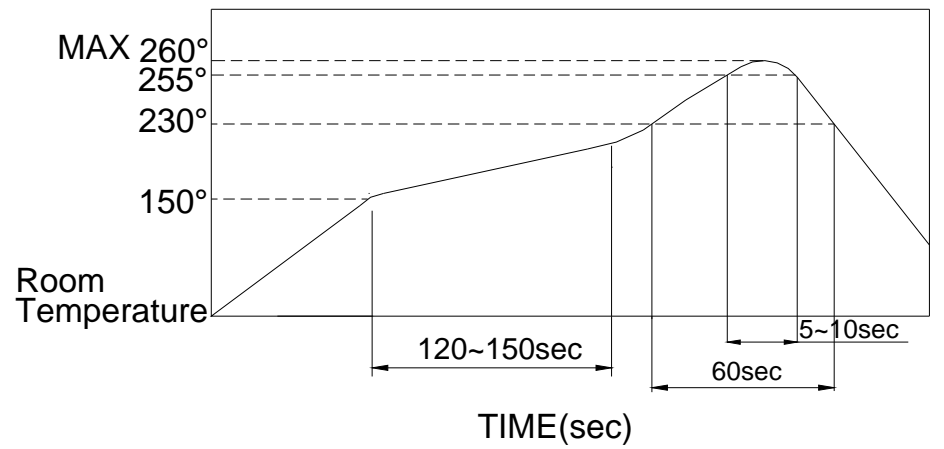
△TAPE: Teflon

SOLDERING PROCESS

△ **HAND SOLDERING:** Use a soldering iron of 30 watts, controlled at 350°C approximately Max 5 seconds while applying solder.

△ **SOLDERING:** Vapor phase & reflow soldering can be applied.

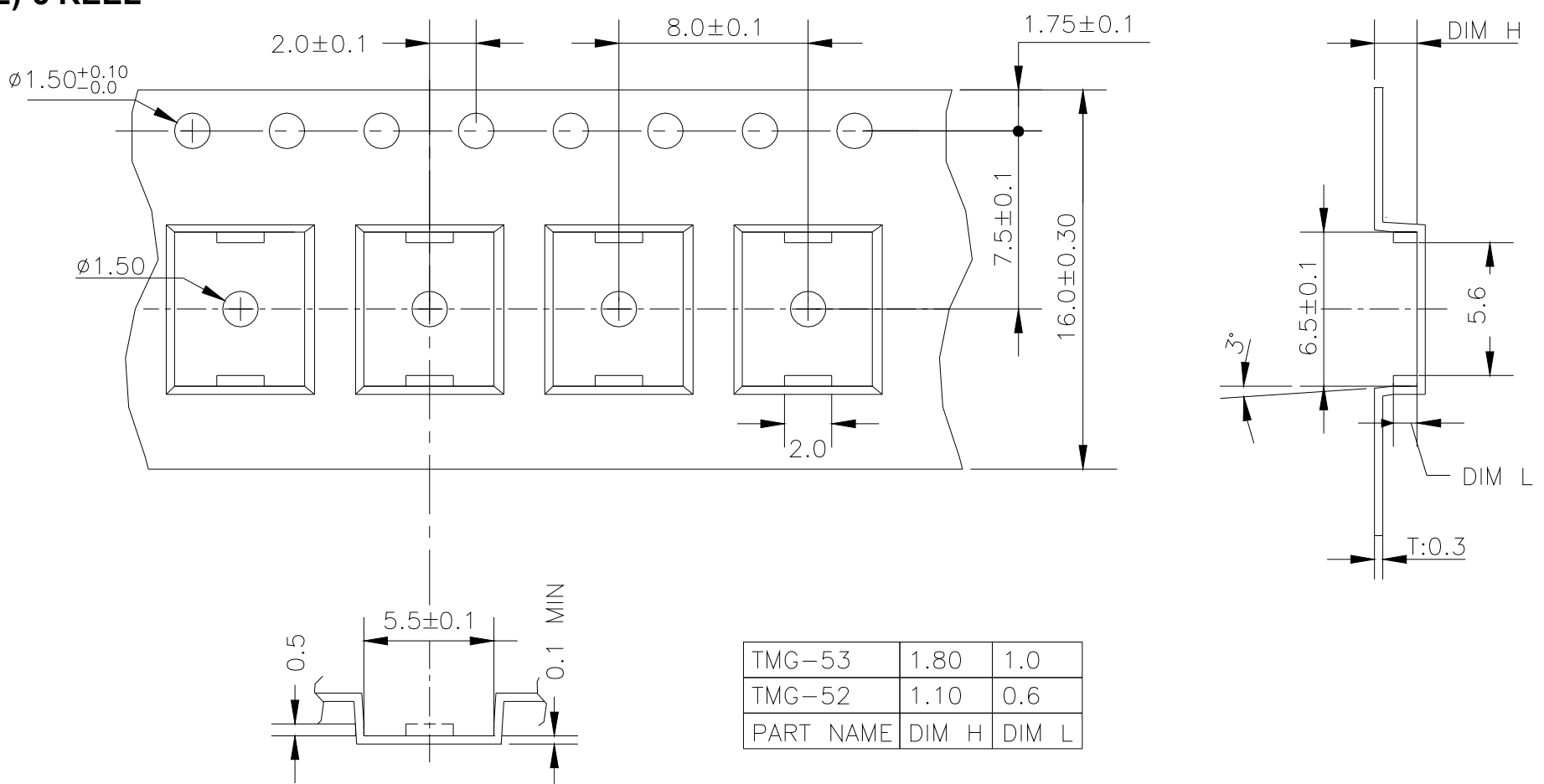
△ **Temperature Profile:**



PACKING

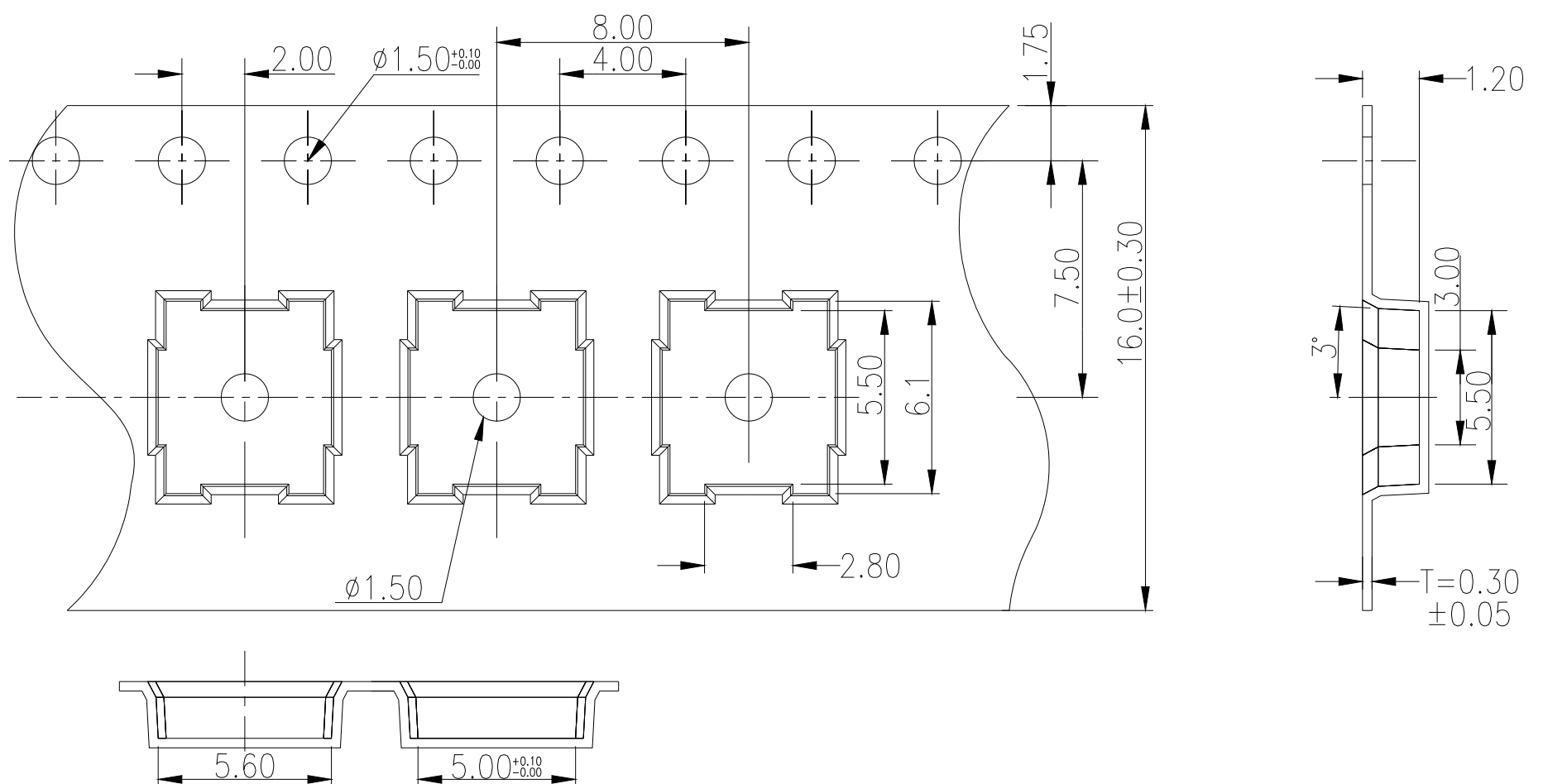
Part Number	Number Per Reel
TMG、TME-5	4000
TJG、TJE-5	4000

TMG(E)-5 REEL



General Tolerance : ± 0.1 mm

TJG(E)-5 REEL



General Tolerance : ± 0.1 mm

PRECAUTIONS in HANDLING

Care should be exercised so that flux from the upper part of the printed circuit board does not adhere to the switch.

Except for washable type do not wash the switch body.

Press direction & illustrated drawing:

